

DESCRIPTION AND APPLICATION

The KMC TPE-1483 series of pressure transducers incorporate a differential pressure transmitter with two remote sensors. They incorporate a rugged NEMA 4X and IP65 hinged and gasketed enclosure and five-foot (1.5 m) cables for the remote sensors.

They may be used with any liquid or gas that is compatible with 17–4 pH stainless steel.

Each model has four field-selectable input pressure ranges available (see the Models section below). The inputs are rated for an overload pressure of two times the maximum full scale range and a burst pressure of twenty times the maximum full-scale range.

Three output ranges are field-selectable (4 to 20 mA, 0 to 5 VDC, and 0 to 10 VDC), with High/Low port swapping, unidirectional (0 to full scale) or bidirectional (+/–) measurements, and slow-damping options for the most flexible application use. The output signal is factory-calibrated and temperature-compensated for the highest start-up accuracy.

The transducers are powered from a 24 VAC/VDC (non-isolated half-wave rectified) power source.

NOTE: This data sheet is for transmitters available starting in July 2019. For earlier (2008–2019) device (all-grey enclosure with no display) specifications, see Rev. D of this data sheet.



FEATURES

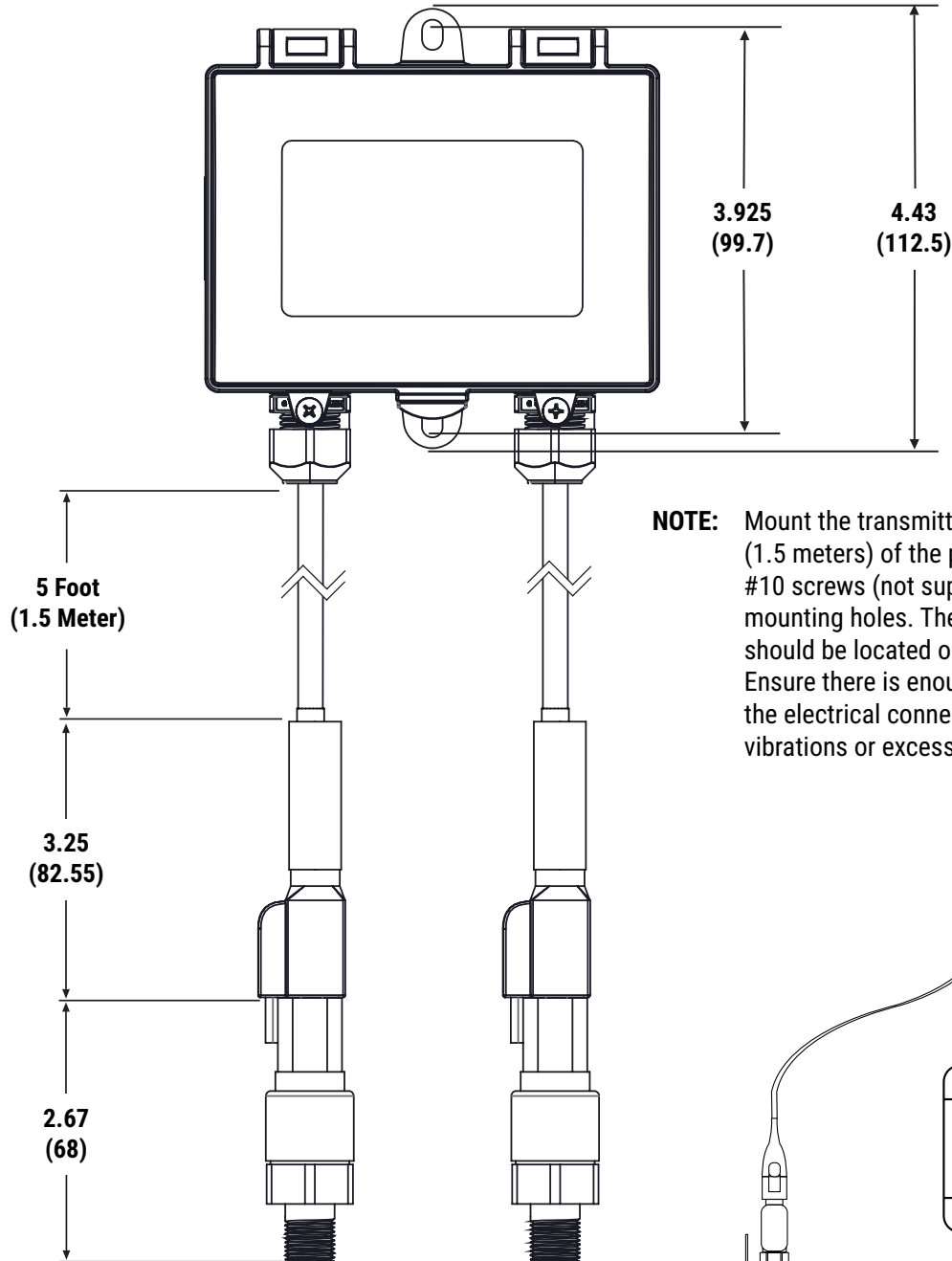
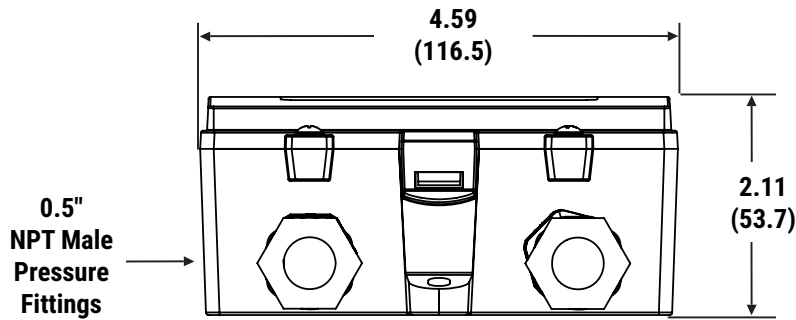
- ◆ Remote sensor, with cable
- ◆ Selectable pressure ranges and outputs
- ◆ LCD display for configuration of input pressure ranges, output type and range, surge damping time, unidirectional/bidirectional measurements, and port swapping
- ◆ Push-button and remote zeroing terminal
- ◆ Weatherproof enclosure

MODELS

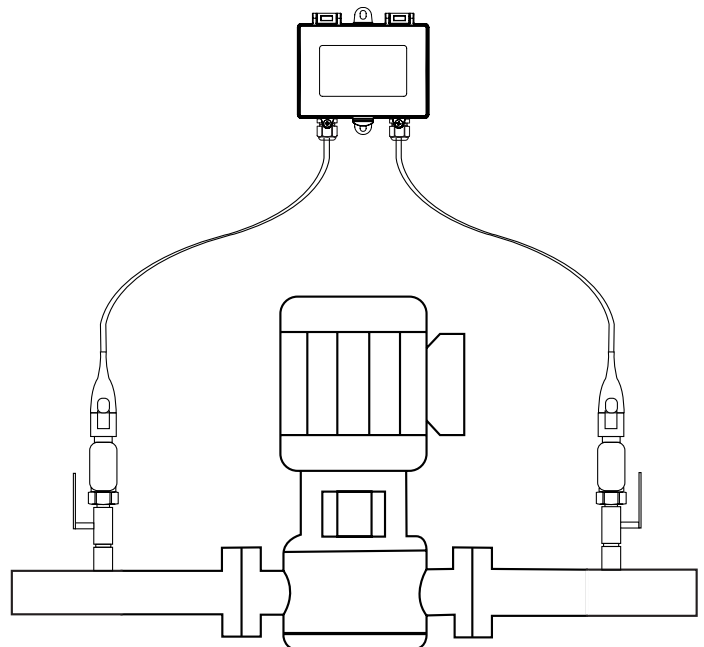
MODEL NUMBER	INPUT PRESSURE RANGES (SELECTABLE)	REPLACES (DISCONTINUED MODEL)
TPE-1483-10	0 to 5/10/25/50 psi	TPE-1483-1
TPE-1483-20	0 to 10/20/50/100 psi	TPE-1483-2
TPE-1483-30	0 to 50/100/250/500 psi	TPE-1483-3

DIMENSIONS AND MOUNTING

Dimensions are in inches (mm)



NOTE: Mount the transmitter on a vertical surface within 5 feet (1.5 meters) of the pressure port to be measured. Use #10 screws (not supplied) through the two integrated mounting holes. The remote sensor cable connection should be located on the bottom of the enclosure. Ensure there is enough space around the unit to make the electrical connections. Avoid locations with severe vibrations or excessive moisture.



SPECIFICATIONS

Supply Voltage	24 VAC/VDC \pm 10% (non-isolated half-wave rectified)
Supply Current	75 mA, maximum @ 24 VDC
Output Signal	4 to 20 mA (sourcing), 0 to 5 VDC, or 0 to 10 VDC, field selectable
Output Drive	
Current	500 ohms max.
Voltage	10K ohms min.
Wiring Connection	14 to 22 AWG screw terminal block
Protection Circuitry	Reverse voltage protected, transient protected
Pressure Ranges	See Models on page 1
Line Pressure	Maximum is the highest of the selectable ranges on each model
Proof Pressure	Max. 2X highest range per model
Burst Pressure	Max. 20X highest range per model
Pressure Cycles	Over 100 million
LCD Display	1.4 x 0.6" (35 x 15 mm), 2 lines by 8 characters
Accuracy	\pm 1% full scale of selected range (range 4 is \pm 2%)
Stability	\pm 0.25% full scale typical (1 year)
Surge Damping	1 to 60 seconds averaging (menu selectable)
Zero Adjust	Push-button and remote-input
Operating Environment	32 to 122° F (0 to 50° C), 10 to 90% relative humidity, non-condensing
Sensor Operating Range	-40 to 221° F (-40 to 105° C)
Media Compatibility	17-4 PH stainless steel
Rem. Sensor Cable	FT-6 plenum rated
Pressure Fitting	1/4-inch NPT male
Sensor Housing	IP67
Enclosure	Polycarbonate, UL94-V0, IP65 (NEMA 4X), 4.43 W x 4.59 H x 2.11" D (112.5 x 116.5 x 53.7 mm)
Weight	22.9 oz (650 g), including remote cables and sensors
Regulatory	CE and RoHS Compliant
Manufacturing	ISO 9001 registered quality system

⚠ CAUTION

Ensure that the maximum individual port pressure does not exceed the maximum pressure range of the unit.

Do not use this device:

- In an explosive or hazardous environment
- With combustible or flammable gasses
- As a safety or emergency stop device
- In any other application where failure of the product could result in personal injury

ACCESSORIES

XEE-6111-040	Single-hub transformer, 120 to 24 VAC, 40 VA
XEE-6112-040	Dual-hub transformer, 120 to 24 VAC, 40 VA

SUPPORT

Additional product and other resources are available on the web at www.kmcccontrols.com.



KMC Controls, Inc.
19476 Industrial Drive
New Paris, IN 46553
574.831.5250
www.kmcccontrols.com
info@kmcccontrols.com